

BATWING OPTICS FOR LED PCBs

FOR WALL WASHERS AND FOR
INDIRECT ILLUMINATION



EXTRUSION OPTICS FOR LED PCBs W1.5

For illumination with Wall Washers
or for indirect illumination



Batwing Optics W1.5

- SLIGHTLY OPAQUE PMMA EXTRUSION PROFILE
- OPTIMIZED FOR LED LINE SMD TYPES WU-M-499 AND WU-M-500 AND FOR LUGA LINE MODULES
- NO PIXELLATION OF THE LIGHT BEAM
- TWO LENGTH AVAILABLE:
560 MM AND 1,800 MM

Batwing Optics for LED PCBs W1.5

Technical Notes

- Dimensions (LxWxH)
Type 91000: 560/1800x24.7x31 mm
Type 91010: 560/1800x24.7x25 mm
- Type 91000:
for up- and down-lighting wall washers
- Type 91010:
for indirect illumination
- Optimized for SMD PCBs of type WU-M-499/WU-M-500 and for LUGA Line modules

Optical Characteristics

Type	Optical efficiency %
91000	72
91010	91



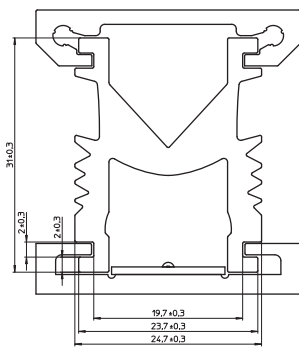
Maximum Ratings and Reference Numbers

Exceeding the maximum ratings can lead to reduction of service life or destruction of the optics.

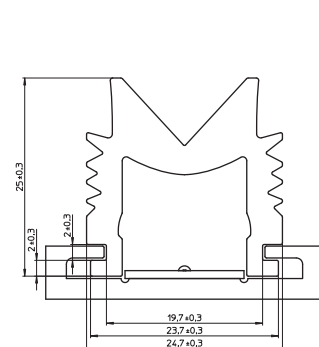
Type	Ref. No.	Length mm	Operation temperature range		Storage temperature range	
			°C min.	°C max.	°C min.	°C max.
For wall washer						
91000	559587	1800 ±2	-20	+70	-20	+70
91000	562895	560 ±2	-20	+70	-20	+70
For indirect illumination						
91010	559588	1800 ±2	-20	+70	-20	+70
91010	562896	560 ±2	-20	+70	-20	+70

Dimensions

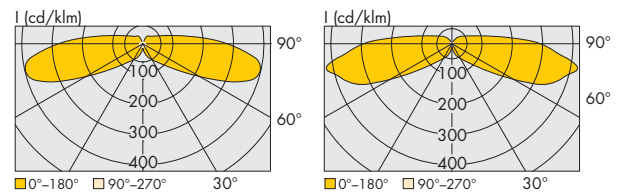
91000



91010

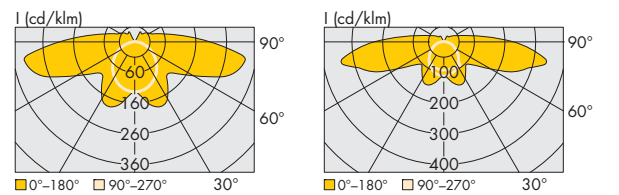


Typical Light Distribution Curve



91000- WU-M-499 / 500

91000- LUGA Line



91010- WU-M-499 / 500

91010- LUGA Line

The values contained in this data sheet can change due to technical innovations. Any such changes will be made without separate notification.