

NEXT 111 / SHOPLINE 111

GEN. 2017



CONVENIENT LED TECHNOLOGY

As a perfect replacement for HID lamps, especially for AR111, these light engines are ideal for integration in luminaires like spots or downlights. The light engines are ideal for applications like retail, halls and public buildings.

The profiled reflector with the same design of AR111 lamps is ideal to replace HID lamps with LED technology and keep existing luminaire's design.

The reflectors offer an homogeneous light distribution spot. Next 111 offers the possibility to replace the aluminium reflector easily thanks to a new bayonet system.

NEXT / ShopLine series

- Replacement for HID lamps 20–150 W
- Built-in spot with heat sink based on LUGA modules
- Reflector for homogeneous light distribution

Typical applications

- Replacement of AR111 lamps
- Integration in luminaires
- Retail lighting
- Downlights
- Light advertising
- Entertainment

NEXT 111 – Gen. 2017

Built-in LEDSpot equipped with an interchangeable aluminium reflector, heat sink and leads – Replacement for AR111

Technical notes

Reflector: Ø 111 mm, aluminium,

bayonet fixing, interchangeable

Heat sink material: aluminium

Max operating temperature at t_p point:

115 °C: type DMS126 at 500 mA

105 °C: type DMS120 at 800 mA

Lumen maintenance: L90/B10; 50.000 hrs.

85 °C at t_p point

Temperature depends on installation situation and has to be checked by the luminaire manufacturer.

Colour accuracy initially: 2 SDCM

Use of external LED constant-current drivers

The ceramic PCB ensures optimum thermal management

Plastic clear cover to protect reflector

(opaque cover on request)

Fixation

reflector: front rim

heat sink: lateral fixation with M5 screws and nuts

or rear side fixation with self-tapping screws ST2.9

Leads: Cu tinned, stranded conductors AWG22,

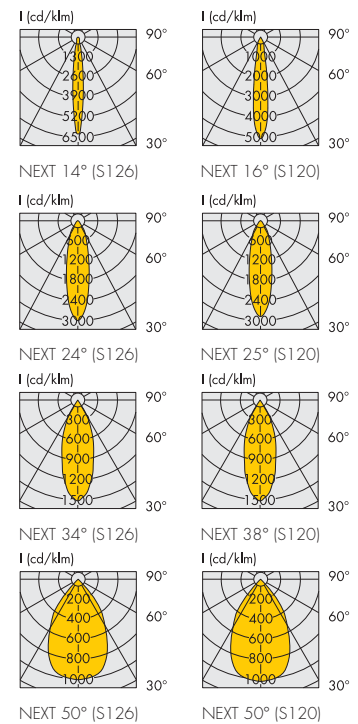
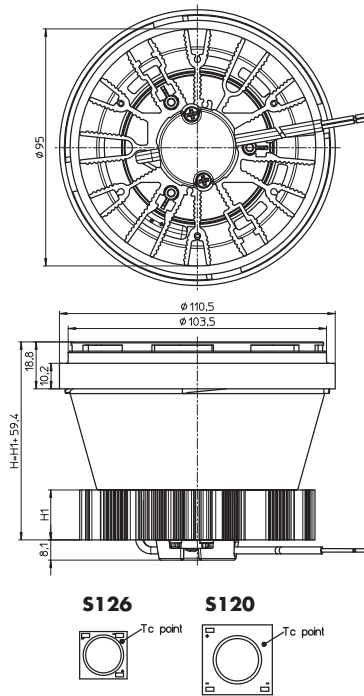
FEP-insulation and PVC sleeve,

length: 600 mm

With integrated cord grip

Packaging unit: 6 pcs.

Next 111



Dimensions		Weight
H1	H	g
20 mm	87.5 mm	370
40 mm	107.5 mm	430

The values contained in this data sheet can change due to technical innovations. Any such changes will be made without separate notification.

NEXT 111 – Gen. 2017

Type	Ref. No.		Colour	Correlated colour temperature K	Typ. luminous flux and typical voltage (U _{typ.}) and power consumption (P _{el})*			Light intensity at max. current Candela	Beam angle °	CRI R _a	Energy efficiency at max. current
	for black LEDSpots	white LEDSpots			350 mA lm	500 mA lm	700 mA lm				
Type: S126					P _{el} = 11.9 W	P _{el} = 17.5 W					
H1 = 20 mm (heat sink height)					U _{typ.} = 34.1 V	U _{typ.} = 34.9 V					
Next 111 S126	565130	565138	warm white	3000	1610	2200	–	14100	14°	85	A++
Next 111 S126	565134	565142	neutral white	4000	1670	2290	–	14595	14°	85	A++
Next 111 S126	565131	565139	warm white	3000	1610	2200	–	6580	24°	85	A++
Next 111 S126	565135	565143	neutral white	4000	1670	2290	–	6810	24°	85	A++
Next 111 S126	565132	565140	warm white	3000	1630	2225	–	3450	34°	85	A++
Next 111 S126	565136	565144	neutral white	4000	1690	2315	–	3570	34°	85	A++
Next 111 S126	565133	565141	warm white	3000	1590	2170	–	2215	50°	85	A++
Next 111 S126	565137	565145	neutral white	4000	1650	2260	–	2295	50°	85	A++

Versions with other colour temperature, CRI 95, pearl white or clear white on request
 * Production tolerance of luminous flux, voltage and power consumption: ±10%

Type	Ref. No.		Colour	Correlated colour temperature K	Typ. luminous flux and typical voltage (U _{typ.}) and power consumption (P _{el})*			Light intensity at max. current Candela	Beam angle °	CRI R _a	Energy efficiency at max. current
	for black LEDSpots	white LEDSpots			600 mA lm	700 mA lm	800 mA lm				
Type: S120					P _{el} = 20.4 W	P _{el} = 24 W	P _{el} = 27.7 W				
H1 = 40 mm (heat sink height)					U _{typ.} = 34 V	U _{typ.} = 34.4 V	U _{typ.} = 34.7 V				
Next 111 S120	565148	565156	warm white	3000	2770	3180	3570	18050	16°	85	A++
Next 111 S120	565152	565160	neutral white	4000	2875	3300	3710	18700	16°	85	A++
Next 111 S120	565149	565157	warm white	3000	2770	3180	3570	9740	25°	85	A++
Next 111 S120	565153	565161	neutral white	4000	2875	3305	3710	10130	25°	85	A++
Next 111 S120	565150	565158	warm white	3000	2800	3215	3610	5450	38°	85	A++
Next 111 S120	565154	565162	neutral white	4000	2910	3340	3755	5670	38°	85	A++
Next 111 S120	565151	565159	warm white	3000	2740	3140	3530	3740	50°	85	A++
Next 111 S120	565155	565163	neutral white	4000	2845	3265	3670	3890	50°	85	A++

Versions with other colour temperature, CRI 95, pearl white, clear white or FOOD on request
 * Production tolerance of luminous flux, voltage and power consumption: ±10%

The values contained in this data sheet can change due to technical innovations. Any such changes will be made without separate notification.

ShopLine 111 – Gen. 2017

Built-in LEDSpot equipped with a reflector or an interchangeable reflector, heat sink and leads – Replacement for AR111

Technical notes

Reflector: Ø 111 mm

Heat sink material: aluminium

Max operating temperature at t_p point:

115 °C: type DMS126 at 500 mA

105 °C: type DMS120 at 800 mA

Lumen maintenance: L90/B10; 50.000 hrs.

85 °C at t_p point

Temperature depends on installation situation and

has to be checked by the luminaire manufacturer.

Colour accuracy initially: 2 SDCM

Use of external LED constant-current drivers

The ceramic PCB ensures optimum thermal management

Plastic clear cover to protect reflector

(opaque cover on request)

Fixation

reflector: front and back of rim

heat sink: lateral fixation with M5 screws and nuts

or rear side fixation with self-tapping screws ST2.9

Leads: Cu tinned, stranded conductors AWG22,

FEP-insulation and PVC sleeve,

length: 600 mm

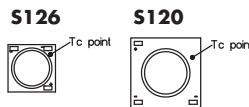
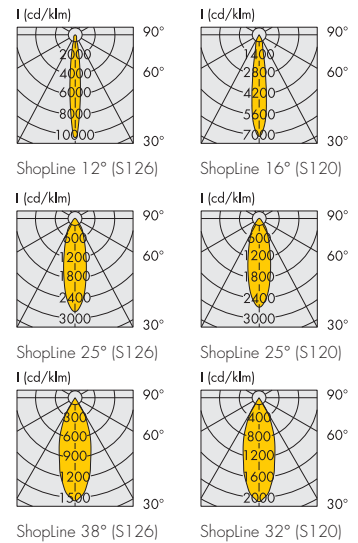
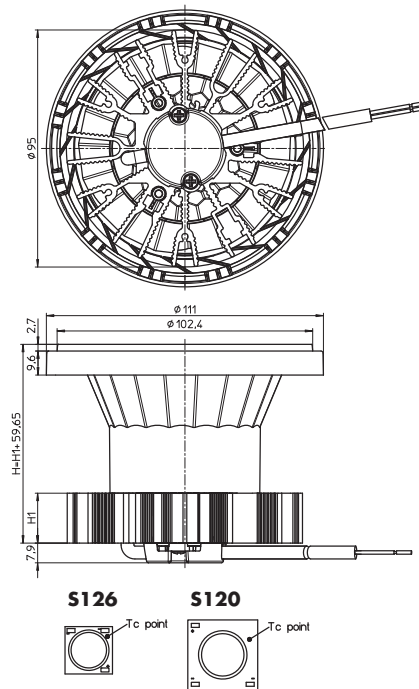
With integrated cord grip

Packaging unit: 6 pcs.

Dimensions		Weight
H1	H	g
20 mm	87.7 mm	370
40 mm	107.7 mm	430



ShopLine 111



The values contained in this data sheet can change due to technical innovations. Any such changes will be made without separate notification.

ShopLine 111 – Gen. 2017

Type	Ref. No. for black LEDSpots	Colour	Correlated colour temperature K	Typ. luminous flux and typical voltage (U _{typ.}) and power consumption (P _{el})*			Light intensity at max. current Candela	Beam angle °	CRI R _a	Energy efficiency at max. current
				350 mA lm	500 mA lm	700 mA lm				
Type: S126				P _{el} = 11.9 W	P _{el} = 17.5 W					
H1 = 20 mm (heat sink height)				U _{typ.} = 34.1 V	U _{typ.} = 34.9 V					
Shop 111 S126	565100	warm white	3000	1570	2145	—	21840	12	85	A++
Shop 111 S126	565103	neutral white	4000	1630	2235	—	22700	12	85	A++
Shop 111 S126	565101	warm white	3000	1570	2145	—	5800	25	85	A++
Shop 111 S126	565104	neutral white	4000	1630	2235	—	6050	25	85	A++
Shop 111 S126	565102	warm white	3000	1515	2070	—	3200	38	85	A++
Shop 111 S126	565105	neutral white	4000	1575	2155	—	3330	38	85	A++

Versions with other colour temperature, CRI 95, pearl white or clear white on request

* Production tolerance of luminous flux, voltage and power consumption: ±10%

Type	Ref. No. for black LEDSpots	Colour	Correlated colour temperature K	Typ. luminous flux and typical voltage (U _{typ.}) and power consumption (P _{el})*			Light intensity at max. current Candela	Beam angle °	CRI R _a	Energy efficiency at max. current
				600 mA lm	700 mA lm	800 mA lm				
Type: S120				P _{el} = 20.4 W	P _{el} = 24 W	P _{el} = 27.7 W				
H1 = 40 mm (heat sink height)				U _{typ.} = 34 V	U _{typ.} = 34.4 V	U _{typ.} = 34.7 V				
Shop 111 S120	565108	warm white	3000	2740	3140	3530	25350	16	85	A++
Shop 111 S120	565111	neutral white	4000	2845	3265	3670	26350	16	85	A++
Shop 111 S120	565109	warm white	3000	2705	3105	3485	8880	25	85	A++
Shop 111 S120	565112	neutral white	4000	2810	3225	3625	9230	25	85	A++
Shop 111 S120	565110	warm white	3000	2675	3065	3445	7260	32	85	A++
Shop 111 S120	565113	neutral white	4000	2780	3190	3580	7550	32	85	A++

Versions with other colour temperature, CRI 95, pearl white, clear white or FOOD on request

* Production tolerance of luminous flux, voltage and power consumption: ±10%

Product Guarantee

- 5 years
- The conditions for the Product Guarantee of the Vossloh-Schwabe Group shall apply as published on our homepage (www.vossloh-schwabe.com). We will be happy to send you these conditions upon request.

The values contained in this data sheet can change due to technical innovations. Any such changes will be made without separate notification.

LED Drivers

You will find more information about our LED drivers on our website: www.vossloh-schwabe.com

Capacity range W		Output current DC mA	Output voltage DC V	Ref. No.	Version	Current setting	Dimming	Max. service life time		Dimensions (LxWxH) mm	For type	
min.	max.							hrs.	at t _c °C		DMS 126	DMS 120
350 mA												
10.5	15	350	30–43	186591	EasyLine	—	—	50,000	65	115x45x25	x	x
8.75	15	350	25–43	186650	ComfortLine	LEDSet	—	100,000	70	97x43x30	x	x
10.5	18.5	350	30–53	186503	PrimeLine	Programmable	DALI	100,000	65	123.4x79x4x32.6	x	x
11.2	18	350	32–52	186415	EasyLine	—	Phase cutting (C)	50,000	70	153x41.4x32	x	x
500 mA												
15	21.5	500	30–43	186592	EasyLine	—	—	50,000	65	115x45x25	x	x
8.75	15	500	25–43	186650	ComfortLine	LEDSet	—	100,000	70	97x43x30	x	x
8.75	15	500	25–43	186651	ComfortLine	Terminals	—	100,000	70	97x43x30	x	x
15	26.5	500	30–53	186503	PrimeLine	Programmable	DALI	100,000	65	123.4x79x4x32.6	x	x
12.5	28.5	500	25–57	186531	EasyLine	Terminals	—	50,000	70	103.6x67.4x31	x	x
600 mA												
15	25.8	600	25–43	186650	ComfortLine	LEDSet	—	100,000	70	97x43x30	—	x
15	25.8	600	25–43	186652	ComfortLine	Terminals	—	100,000	65	97x43x30	—	x
18	31.8	600	30–53	186503	PrimeLine	Programmable	DALI	100,000	65	123.4x79x4x32.6	—	x
15	34.2	600	25–57	186531	EasyLine	Terminals	—	50,000	70	103.6x67.4x31	—	x
700 mA												
21	30.1	700	30–43	186593	EasyLine	—	—	50,000	70	103x67x30	—	x
17.5	30.1	700	25–43	186650	ComfortLine	LEDSet	—	100,000	70	97x43x30	—	x
17.5	30.1	700	25–43	186652	ComfortLine	Terminals	—	100,000	65	97x43x30	—	x
21	37.1	700	30–53	186503	PrimeLine	Programmable	DALI	100,000	65	123.4x79x4x32.6	—	x
17.5	39.9	700	25–57	186531	EasyLine	Terminals	—	50,000	70	103.6x67.4x31	—	x
11.9	29.4	700	17–42	186393	ComfortLine	—	Phase cutting (C)	100,000	65	96x50x31.5	—	x
800 mA												
20	34.4	800	25–43	186650	ComfortLine	LEDSet	—	100,000	70	97x43x30	—	x
20	34.4	800	25–43	186653	ComfortLine	Terminals	—	100,000	70	97x43x30	—	x
20	34.4	800	25–43	186532	EasyLine	Terminals	—	50,000	70	103.6x67.4x31	—	x

Please ensure you choose the correct LED driver for the module in question and that the respective output parameters (current, voltage, wattage) are correct.

The values contained in this data sheet can change due to technical innovations. Any such changes will be made without separate notification.

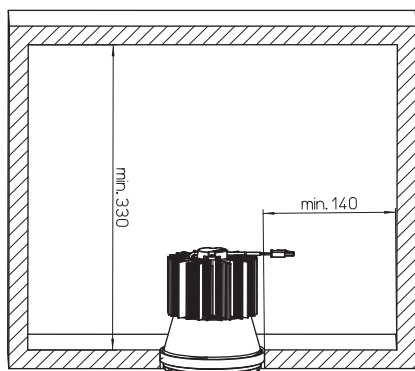
LEDSpot NEXT / ShopLine 111 – Installation Instruction

General safety information

- VS product may only be installed and commissioned by authorised and fully qualified staff.
- These instructions must be carefully read before installing and commissioning the system, as this is the only way to ensure safe and correct handling.
- An external constant-current driver is required.
- Before any work is carried out on the equipment, it must be disconnected from the mains.
- All valid safety and accident-prevention regulations must be observed.
- The products should never be inexpertly opened. Repairs may only be undertaken by the manufacturer.

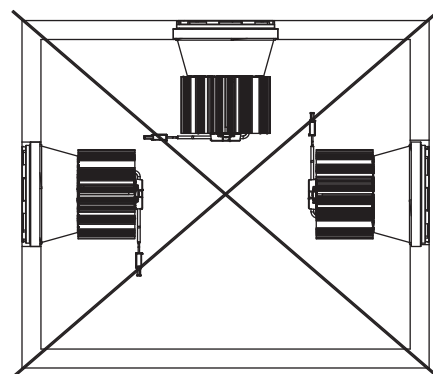
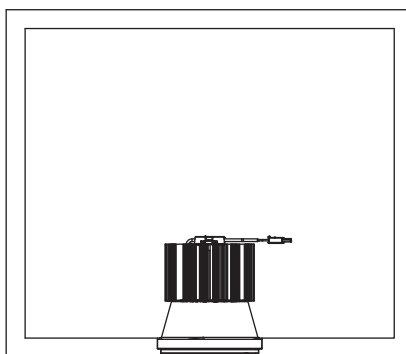
See drawing and cut out for each product on previous pages

Built-in



Correct position

OK



The values contained in this data sheet can change due to technical innovations. Any such changes will be made without separate notification.