

LEDSpot EffectLine

Complete LEDSpot equipped with optics, heat sink, leads and metal frame

Technical notes

Metal frame, round or square

For cut-out: Ø 37 mm

LEDSpot with one LED and with thermoplastic heat sink

Beam angle: 8°, 16°, 26° or 45°

Leads: Cu tinned, stranded conductors AWG22,

PVC-insulation, length: 250 mm

Use of external LED constant-current drivers

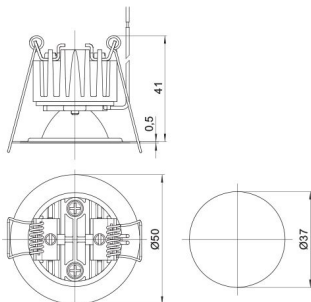
Snap-in clips for easy installation

Degree of protection: IP20

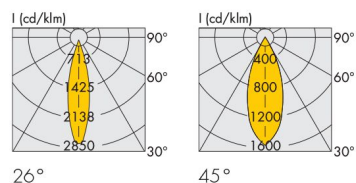
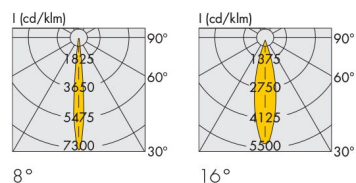
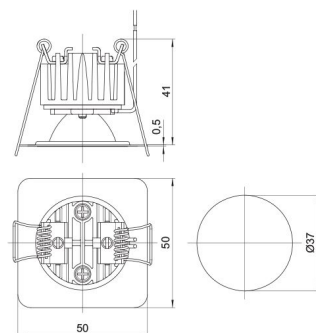
Weight: 40 g

Packaging unit: 45 pcs.

LCH-010



LCH-011



Type	Description	LEDSpot version	Colour	Correlated colour temperature	Luminous flux (lm) and typical voltage (U _{typ.}) and power consumption (P _{el.})*						Light intensity at max. current				Energy efficiency at max. current
					350 mA		500 mA		700 mA		Candela				
					min.	typ.	min.	typ.	min.	typ.	8°	16°	26°	45°	
					P _{el.} = 1.02 W		P _{el.} = 1.5 W		P _{el.} = 2.16 W						
					U _{typ.} = 2.9 V		U _{typ.} = 3 V		U _{typ.} = 3.09 V						
All types	Effect 219 3000K	A	warm white	3000	90	100	130	140	170	180	1200	450	500	300	A++
All types	Effect 219 4500K	B	neutral white	4500	100	110	140	150	180	190	1250	1100	560	330	A++

Emission data at t_i = 85 °C | *Production tolerance of luminous flux, voltage and power consumption: ±7%

Frame colour	Ref. No. A (warm white)								Ref. No. B (neutral white)							
	round				square				round				square			
	8°	16°	26°	45°	8°	16°	26°	45°	8°	16°	26°	45°	8°	16°	26°	45°
silver	566143	561808	566146	566148	566150	566152	566154	566156	566158	566160	566162	566164	566166	566168	561831	561834
white	566144	566145	566147	566149	566151	566153	566155	566157	566159	566161	566163	566165	566167	566169	561833	561835

Silver brushed or further colours on request

The values contained in this data sheet can change due to technical innovations. Any such changes will be made without separate notification.