

LEDspot DisLine

Complete LEDSpot equipped with optics, heat sink, leads and metal frame

Technical notes

Metal frame, round

For cut-out: Ø 56 mm

LEDSpot with one LED and with thermoplastic heat sink

Reflector with clear glass (opaque glass on request)

Beam angle: 30° or 50°

Leads: Cu tinned, stranded conductors AWG22,

PVC-insulation, length: 250 mm

Use of external LED constant-current drivers

Snap-in clips for easy installation

for luminaires sheets (type LCH-006)

for ceilings (type LCH-007)

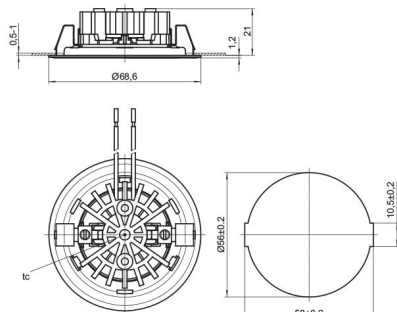
Degree of protection: IP40

Weight: 50 g

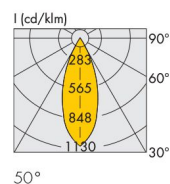
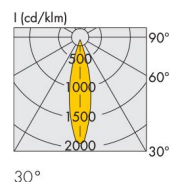
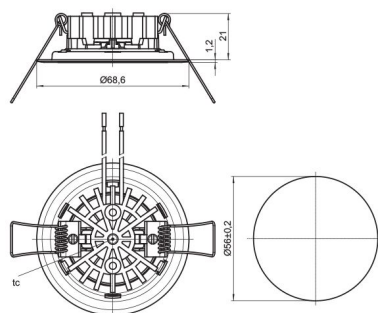
Packaging unit: 45 pcs. (type LCH-006)

40 pcs. (type LCH-007)

LCH-006



LCH-007



Type	Description	LEDSpot version		Colour	Correlated colour temperature K	Luminous flux (lm) and typical voltage (U _{typ.}) and power consumption (P _{el.})*						Light intensity at max. current		Energy efficiency at max. current
		for luminaire sheet	ceilings			350 mA min.	350 mA typ.	500 mA min.	500 mA typ.	700 mA min.	700 mA typ.	30°	50°	

						P _{el.} = 1.02 W		P _{el.} = 1.5 W		P _{el.} = 2.16 W				
						U _{typ.} = 2.9 V		U _{typ.} = 3 V		U _{typ.} = 3.09 V				

All types	Disc 219 3000K	A	C	warm white	3000	90	100	130	140	170	180	320	190	A++
All types	Disc 219 4500K	B	D	neutral white	4500	100	110	140	150	180	190	390	210	A++

Emission data at t₁ = 85 °C | *Production tolerance of luminous flux, voltage and power consumption: ±7% | Further colour temperatures on request

Frame colour	For luminaire sheets (LCH-006)				For ceilings (LCH-007)			
	Ref. No. A (warm white)		Ref. No. B (neutral white)		Ref. No. C (warm white)		Ref. No. D (neutral white)	
	30°	50°	30°	50°	30°	50°	30°	50°
silver	561836	561844	561846	561849	561851	561854	561861	561863
white	561842	561845	561848	561850	561853	561855	561862	561864

Silver brushed or further colours on request

The values contained in this data sheet can change due to technical innovations. Any such changes will be made without separate notification.